

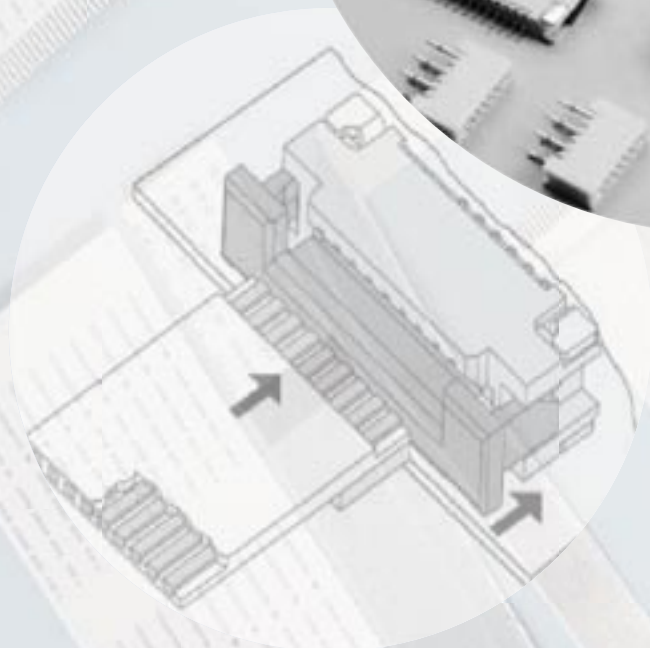
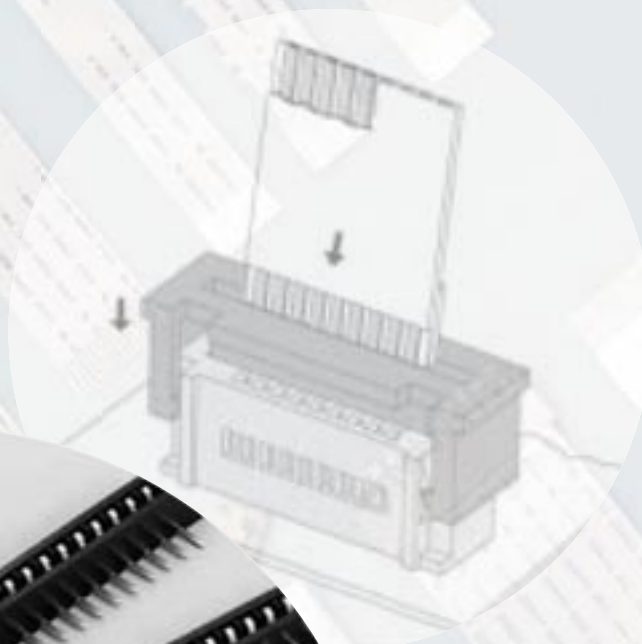
LIF & ZIF STECKVERBINDER

LIF & ZIF CONNECTORS



WENNMACHER

Electronic GmbH



Germany - Hong Kong - Taiwan - The Netherlands - South Africa - USA



WENNMACHER Electronic GmbH - Standort Deutschland D-63785 Obernburg

Wennmacher Electronic GmbH has become a global enterprise with companies around the world.

Our dynamic and future minded team handles your requirements and deliveries with the emphasis on quality and cost.

Wennmacher Electronic GmbH offers a large assortment of electromechanical and electrotechnical products and accessories:

- Active & passive components
- Connectors & flexible interconnections
- PC-boards & assembling
- Cable & customer specific cable assemblies
- Kitting service & programming
- Complete solutions & special applications

Our strength is project support with custom solutions from the development stage to production.

Wennmacher Electronic GmbH hat sich seit ihrer Gründung zu einem weltweit umspannenden und operierenden Unternehmen entwickelt.

Unser Team arbeitet zukunftsorientiert, dynamisch und mit der hohen Flexibilität eines mittelständischen Unternehmens. Zuverlässige Lieferungen, hoher Qualitätsstandard und Kostengünstigkeit sind unsere selbstverständlichen Zielstellungen.

Wennmacher Electronic GmbH bietet ein umfangreiches Sortiment elektromechanischer und elektronischer Erzeugnisse und Zubehör, u. a.:

- Aktive / passive Bauelemente
- Steckverbinder & flexible Verbindungssysteme
- Leiterplatten & -bestückung
- Kabel & kundenspezifische Kabelkonfektionen
- Kittingservice & Programming
- Komplettlösungen und Sonderanfertigungen

Unsere Stärke ist Projektarbeit für maßgeschneiderte, kundenspezifische Lösungen, von der Entwicklung bis zur Serienproduktion.



PRODUKTBESCHREIBUNG	<i>INTRODUCTION</i>	4
SYSTEM CF TECHNISCHE ANGABEN	<i>SYSTEM CF TECHNICAL SPECIFICATION</i>	5
STECKERBAUFORMEN	<i>CONSTRUCTION OF CONNECTOR</i>	6
STECKERBAUFORMEN	<i>CONSTRUCTION OF CONNECTOR</i>	7
CF 04 SERIE 1.00mm DIP ZIF	<i>CF 04 SERIES 1.00mm DIP ZIF</i>	8
CF 07 SERIE 1.00mm SMT ZIF	<i>CF 07 SERIES 1.00mm SMT ZIF</i>	9
CF 07 SERIE 1.00mm SMT ZIF	<i>CF 07 SERIES 1.00mm SMT ZIF</i>	10
CF 07 SERIE 1.00mm SMT ZIF	<i>CF 07 SERIES 1.00mmSMT ZIF</i>	11
CF 17 SERIE 0.80mm SMT ZIF	<i>CF 17 SERIES 0.80mm SMT ZIF</i>	12
CF 17 SERIE 0.80mm SMT ZIF	<i>CF 17 SERIES 0.80mm SMT ZIF</i>	13
CF 18 SERIE 0.80mm SMT LIF	<i>CF 18 SERIES 0.80mm SMT LIF</i>	14
CF 17 / 18 SERIE ROLLENWARE	<i>CF 17 / 18 SERIES TAPE & REEL PACKING</i>	15
CF 21 SERIE 0.50mm SMT ZIF	<i>CF 21 SERIES 0.50mm SMT ZIF</i>	16
CF 21 SERIE 0.50mm SMT ZIF	<i>CF 21 SERIES 0.50mm SMT ZIF</i>	17
CF 21 SERIE 0.50mm SMT ZIF	<i>CF 21 SERIES 0.50mm SMT ZIF</i>	18
CF 21 SERIE ROLLENWARE	<i>CF 21 SERIES TAPE & REEL PACKING</i>	19

The CF-system includes flat printed and flat flexible cable connectors.

The connectors are available in different kinds of center-spacing for low cost applications.

FFC and FPC connectors are composed of straight and right angle contacts in order to meet user requirements and kinked solder tails in order to enhance a properly positioning of the lead and to assure the highest quality fillet.

The connectors are fitted with metal-fixed tabs are for securing the connector in place during the

soldering process. That keeps you from wasting time and helps you saving costs.

The connectors are available in the ZIF- (Zero Insertion Force) and LIF-version (Low Insertion Force).

They are used in a variety of consumer electronic applications that request reliable, easy and quick wire to board connections.

For special requirements please consult our sales agent or factory for information.



Test methods for electronic connectors according to the following military standards:

Dielectric withstanding voltage:
Per Mil-Std-1344A method 3001.1

Contact resistance:
Per Mil-Std-1344A method 3001.1

Insulation resistance:
Per Mil-Std-1344A method 3001.1

Solderability:
Per Mil-Std-202F method 208D

0,50mm center spacing FFC/FPC connector

Electrical Data

Current rating: 0,3 A max.
Dielectric withstanding 250VAC/min.
Contact resistance: < 30 mOhm
Insulation Resistance: > 100 Mohm
Operating temperature -25°C - +85°C

Construction

Insulator: Color natural and brown;
high temperature plastic
Flammability rating: UL 94V-0
Contacts: Phosphor bronze
Contacts plating: Tin-lead over 1,27 µm Nickel

0,80mm center spacing FFC/FPC connector

Electrical Data

Current rating: 0,5 A max.
Dielectric withstanding 500VAC/min.
Contact resistance: < 20 mOhm
Insulation Resistance: > 500 Mohm
Operating temperature -25°C - +85°C

Construction

Insulator: Color black; high temperature plastic
Flammability rating: UL 94V-0
Contacts: Phosphor bronze
Contacts plating: Tin-lead over 1,27 µm Nickel

1,00mm center spacing FFC/FPC connector

Electrical Data

Current rating: 1 A max.
Dielectric withstanding 500VAC/min.
Contact resistance: < 20 mOhm
Insulation Resistance: > 500 Mohm
Operating temperature -25°C - +85°C

Construction

Insulator: Color natural and brown;
high temperature plastic
Flammability rating: UL 94V-0
Contacts: Phosphor bronze
Contacts plating: Tin-lead over 1,27 µm Nickel

1,25mm center spacing FFC/FPC connector

Electrical Data

Current rating: 1 A max.
Dielectric withstanding 500VAC/min.
Contact resistance: < 20 mOhm
Insulation Resistance: > 500 Mohm
Operating temperature -40°C - +105°C

Construction

Insulator: Color natural and brown;
high temperature plastic
Flammability rating: UL 94V-0
Contacts: Phosphor bronze
Contacts plating: Tin-lead over 1,27 µm Nickel

2,54mm center spacing FFC/FPC connector

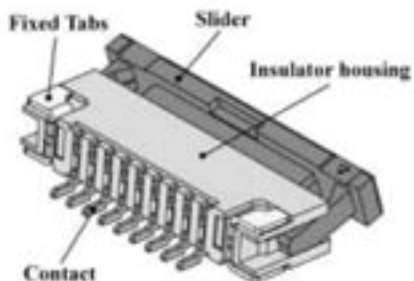
Electrical Data

Current rating: 3 A max.
Dielectric withstanding 1000VAC/min.
Contact resistance: < 20 mOhm
Insulation Resistance: > 500 MOhm
Operating temperature -40°C - +105°C

Construction

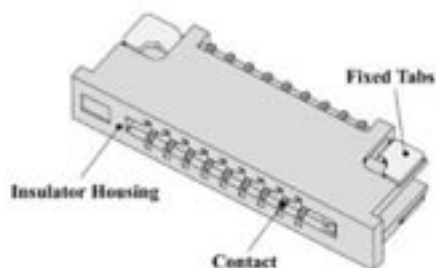
Insulator: Color natural and brown;
high temperature plastic
Flammability rating: UL 94V-0
Contacts: Phosphor bronze
Contacts plating: Tin-lead over 1,27 µm Nickel

STECKERKONSTRUKTION - CONSTRUCTION OF CONNECTOR

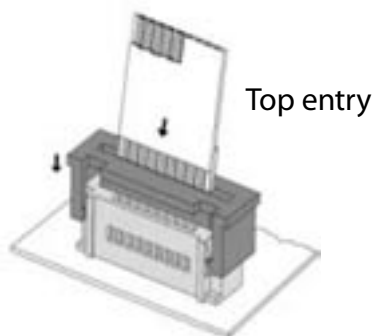


Zero Insertion Force Type

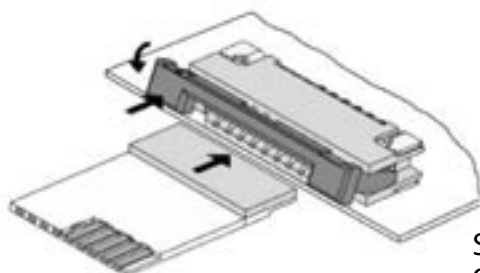
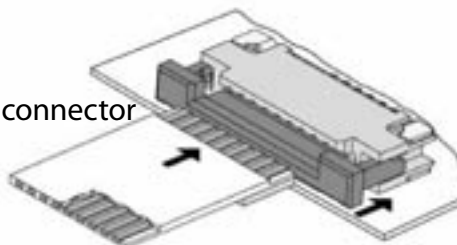
Low Insertion Force Type



ANWENDUNG - APPLICATION

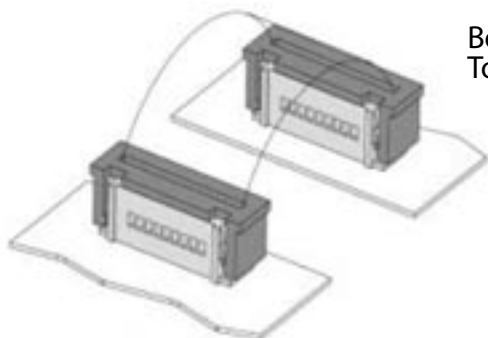


Side entry to upside contact connector

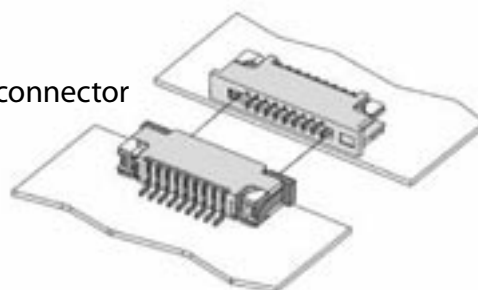


Side entry to downside contact connector

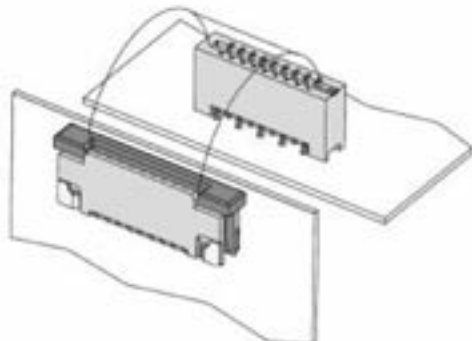
STECKMÖGLICHKEITEN - CONNECTION COMBINATIONS



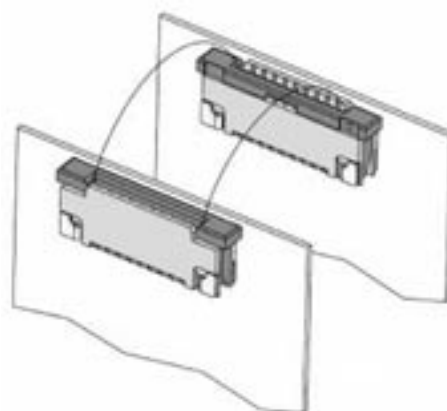
Both ends with ZIF-connector
Top entry to top entry



LIF-connector to ZIF-connector



One end with LIF-connector to ZIF-connector at
the other end
Top entry to side entry

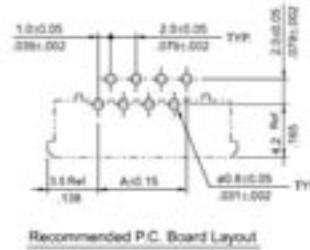
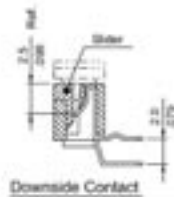
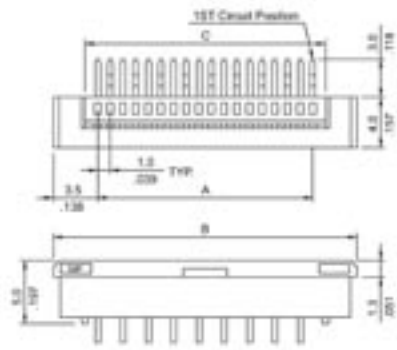


Both ends with ZIF-connector
Side entry to side entry

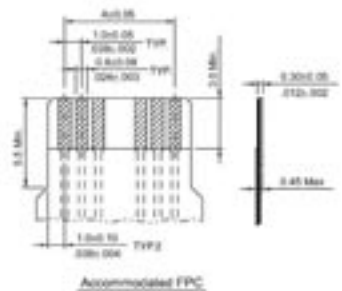
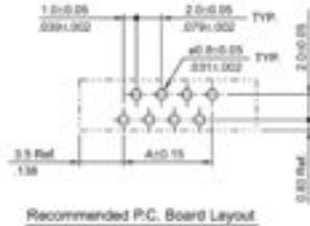
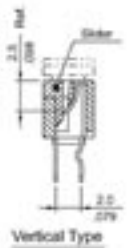
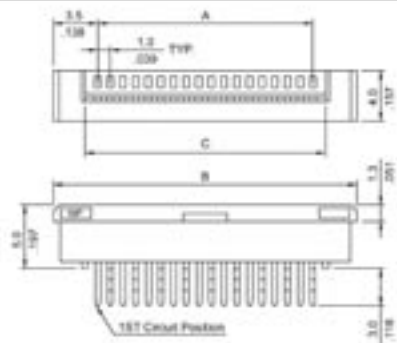
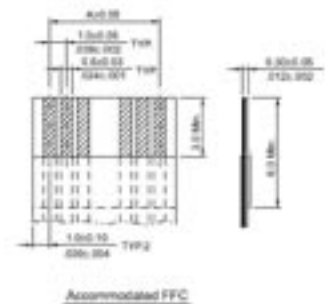
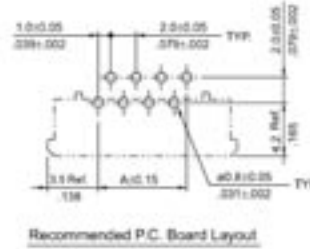
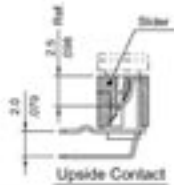
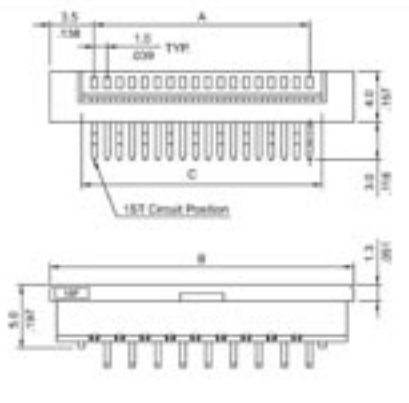
CF 04 SERIES 1.00mm DIP ZIF FFC / FPC CONNECTORS



- Standard with tube packing
- Tin-lead plated contact
- Insulation: Glass filled Nylon 46 UL 94V-0, Color: white
- Slider: Glass filled PPS UL 94V-0, Color: brown
- Options upside contact or downside contact for right angle version



A = 1.00 x No. of Spaces
B = A + 7.0
C = A + 2.2
* Available in 4 through 30 circuits



BESTELLSCHLÜSSEL - ORDERING CODE

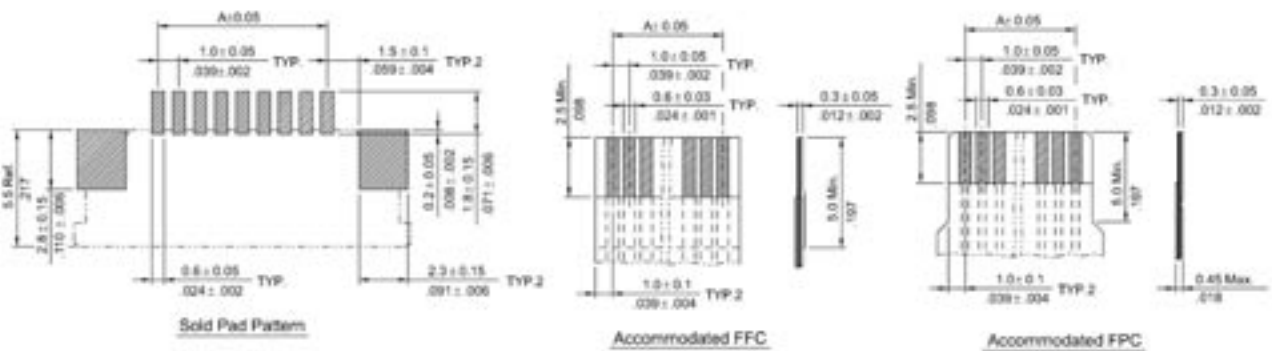
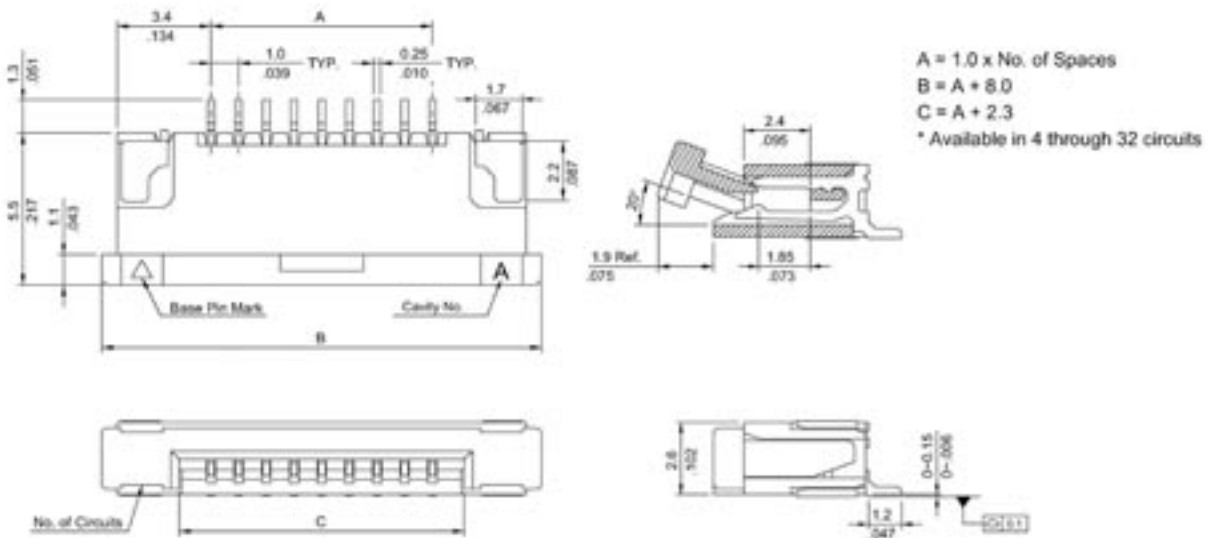
1	2	3	4	5	6	7
CF04	30	1	H	0	D	0
Series No.	Circuits 04-30	Plating code 1 = tin-lead over nickel	Entry option V = top entry H = side entry	Color 0 = white	Contact style 0 = vertical type D = downside contact (for side entry) U = upside contact (for side entry)	Other options 0 = standard (for special options pls. contact us)

CF 07 SERIES 1.00mm SMT ZIF

FFC / FPC DOWNSIDE CONNECTORS



- Tin-lead plated phosphor bronze downside contact
- Insulation: Glass filled Nylon 6T UL 94V-0, Color: nature
- Slider: High temperature plastic UL 94V-0, Color: brown
- Actuator designed easy for FFC/FPC installation
- Fully check by CCD and hi-pot test
- With fixed metal tabs to secure connector in place
- Available in tube or reel packing



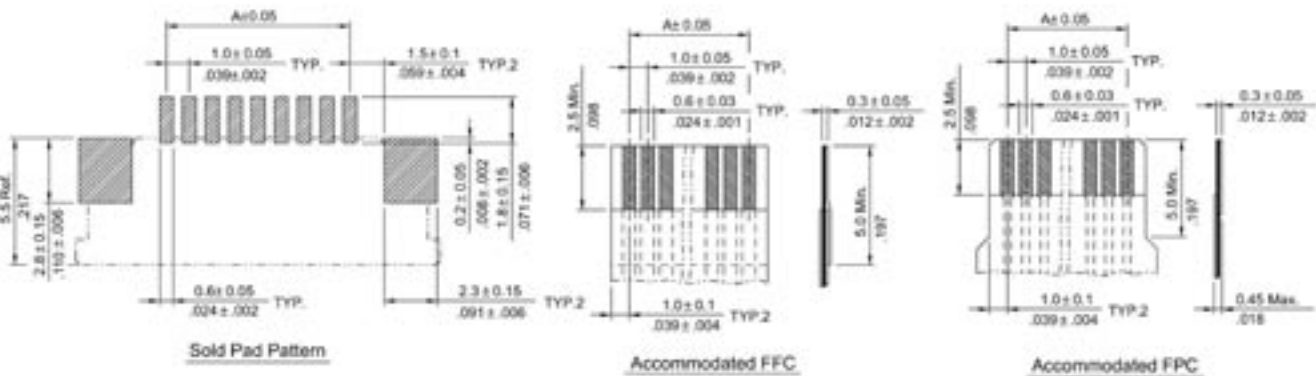
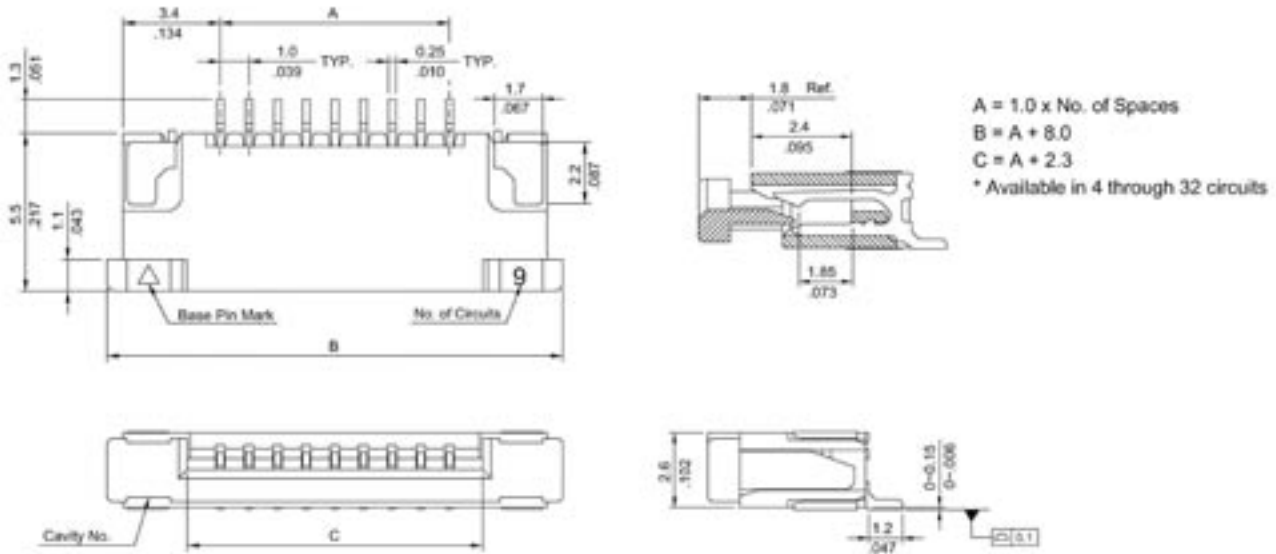
BESTELLSCHLÜSSEL - ORDERING CODE

1	2	3	4	5	6	7
CF07	30	1	H	0	D	0
Series No.	Circuits 04-32	Plating code 1 = tinlead over nickel	Contact style D = downside contact	Color 0 = nature	Packing options R = tape & reel T = tube packing	Other options 0 = standard (for special options pls. contact us)

CF 07 SERIES 1.00mm SMT ZIF FFC / FPC UPSIDE CONNECTORS



- Tin-lead plated phosphor bronze upside contact
- Insulation: Glass filled Nylon 6T UL 94V-0, Color: nature
- Slider: High temperature plastic UL 94V-0, Color: brown
- Actuator designed easy for FFC/FPC installation
- Fully check by CCD and hi-pot test
- With fixed metal tabs to secure connector in place
- Available in tube or reel packing



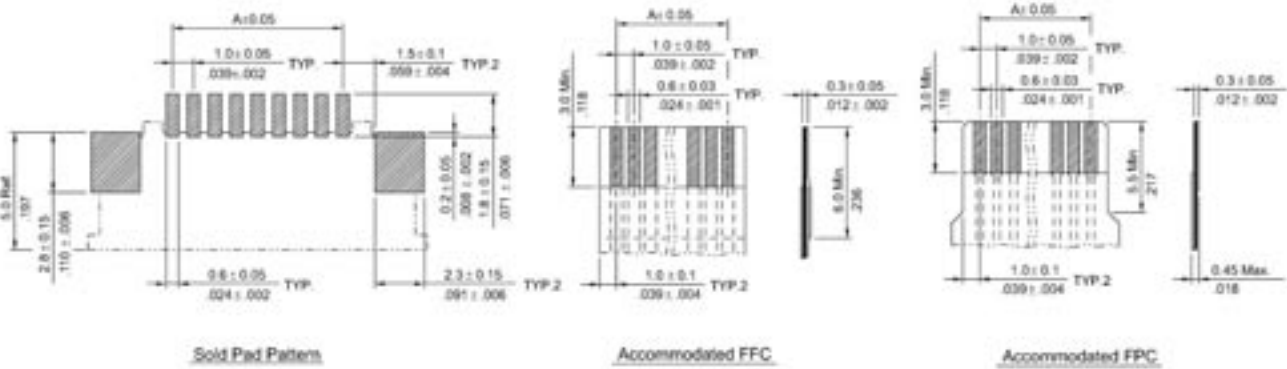
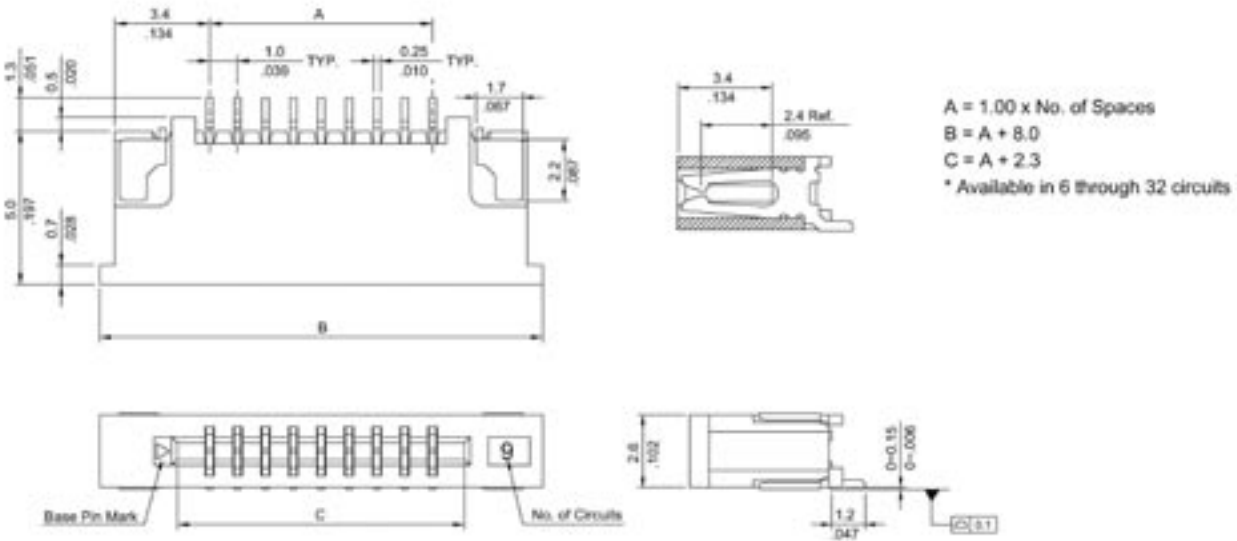
BESTELLSCHLÜSSEL - ORDERING CODE

1	2	3	4	5	6	7
CF07	32	1	U	0	R	0
Series No.	Circuits 04-32	Plating code 1 = tinlead over nickel	Contact style U = upside contact	Color 0 = nature	Packing options R = tape & reel T = tube packing	Other options 0 = standard (for special options pls. contact us)

CF 08 SERIES 1.00mm SMT ZIF FFC / FPC DOWNSIDE CONNECTORS



- Tin-lead plated phosphor bronze dual contact
- Insulation: Glass filled Nylon 6T UL 94V-0, Color: brown
- Low insertion force
- Fully check by CCD and hi-pot test
- With fixed metal tabs to secure connector in place
- Available in tube or reel packing



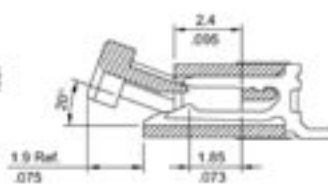
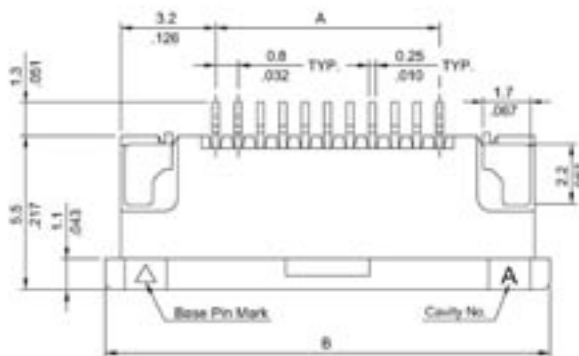
BESTELLSCHLÜSSEL - ORDERING CODE

1	2	3	4	5	6	7
CF08	32	1	H	2	R	0
Series No.	Circuits 06-32	Plating code 1 = tinlead over nickel	Contact style H = side entry	Color 2 = brown	Packing options R = tape & reel T = tube packing	Other options 0 = standard (for special options pls. contact us)

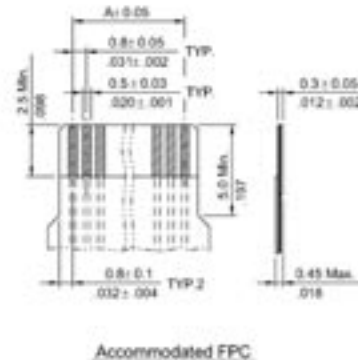
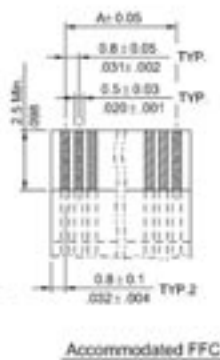
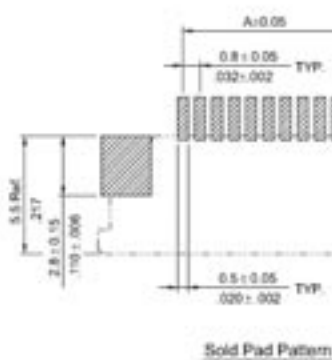
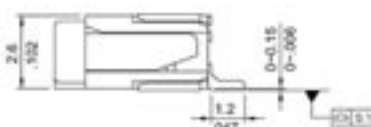
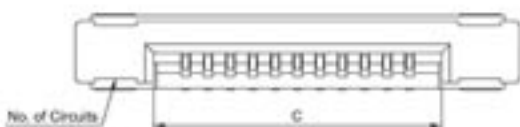
CF 17 SERIES 0.80mm SMT ZIF FFC / FPC DOWNSIDE CONNECTORS



- Tin-lead plated phosphor bronze downside contact
- Insulation: Glass filled Nylon 6T UL 94V-0, Color: black
- Slider: High temperature plastic UL 94V-0, Color: black
- Actuator designed easy for FFC/FPC installation
- Fully check by CCD and hi-pot test
- With fixed metal tabs to secure connector in place
- Available in tube or reel packing



A = 0.8 x No. of Spaces
 B = A + 7.6
 C = A + 1.9
 * Available in 6 through 32 circuits



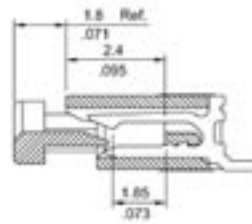
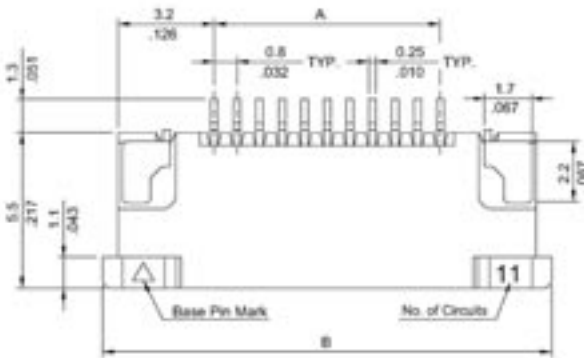
BESTELLSCHLÜSSEL - ORDERING CODE

1	2	3	4	5	6	7
CF17	32	1	D	1	R	0
Series No.	Circuits 06-32	Plating code 1 = tinlead over nickel	Contact style D = downside contact	Color 1 = black	Packing options R = tape & reel T = tube packing	Other options 0 = standard (for special options pls. contact us)

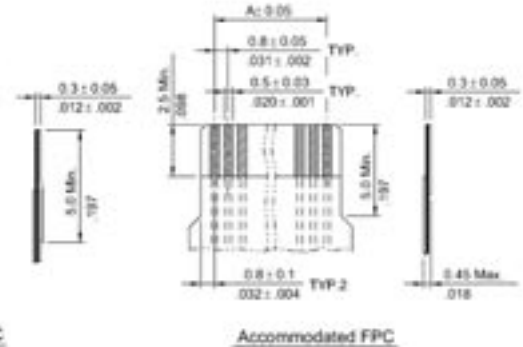
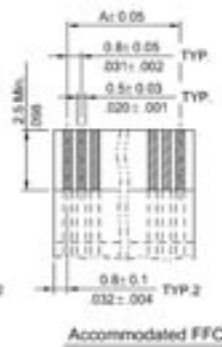
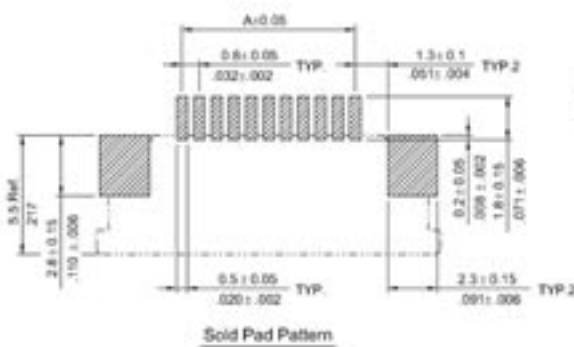
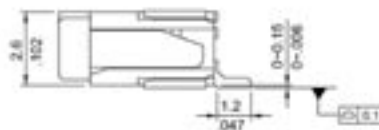
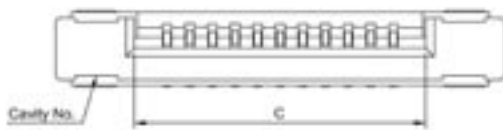
CF 17 SERIES 0.80mm SMT ZIF FFC / FPC UPSIDE CONNECTORS



- Tin-lead plated phosphor bronze upside contact
- Insulation: Glass filled Nylon 6T UL 94V-0, Color: black
- Slider: High temperature plastic UL 94V-0, Color: black
- Actuator designed easy for FFC/FPC installation
- Fully check by CCD and hi-pot test
- With fixed metal tabs to secure connector in place
- Available in tube or reel packing



A = 0.80 x No. of Spaces
 B = A + 7.6
 C = A + 1.9
 * Available in 6 through 32 circuits

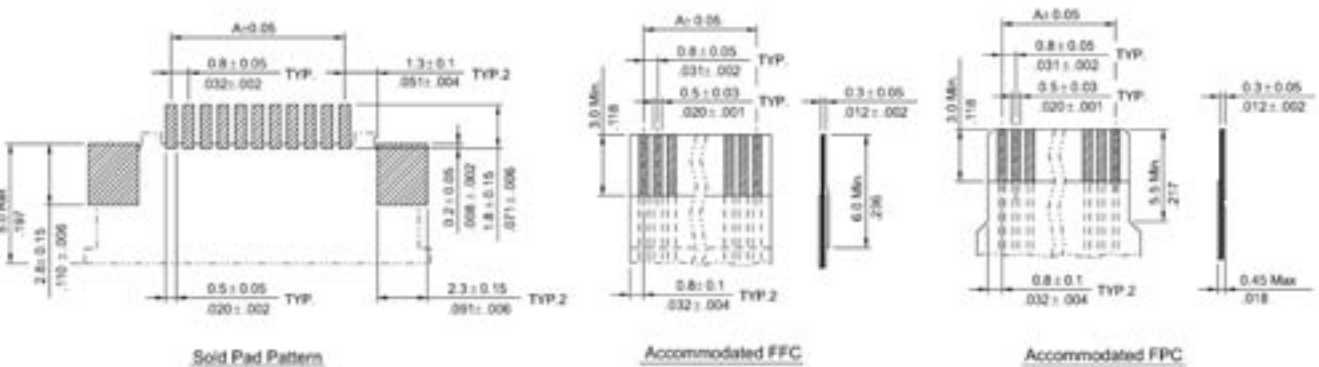
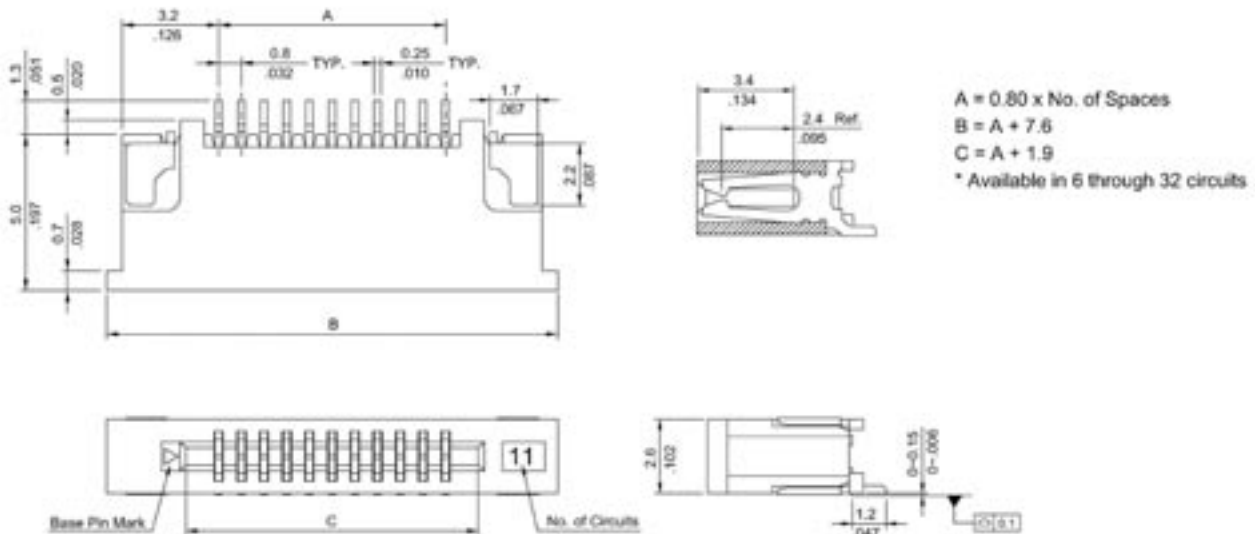


BESTELLSCHLÜSSEL - ORDERING CODE

1	2	3	4	5	6	7
CF17	32	1	U	0	R	0
Series No.	Circuits 06-32	Plating code 1=tinlead over nickel	Contact style U=upside contact	Color 0=black	Packing options R=tape & reel T=tube packing	Other options 0=standard (for special options pls. contact us)

CF 18 SERIES 0.80mm SMT LIF FFC / FPC CONNECTORS

- Tin-lead plated phosphor bronze dual contact
- Insulation: Glass filled Nylon 6T UL 94V-0, Color: black
- Low insertion force
- Fully check by CCD and hi-pot test
- With fixed metal tabs to secure connector in place
- Available in tube or reel packing



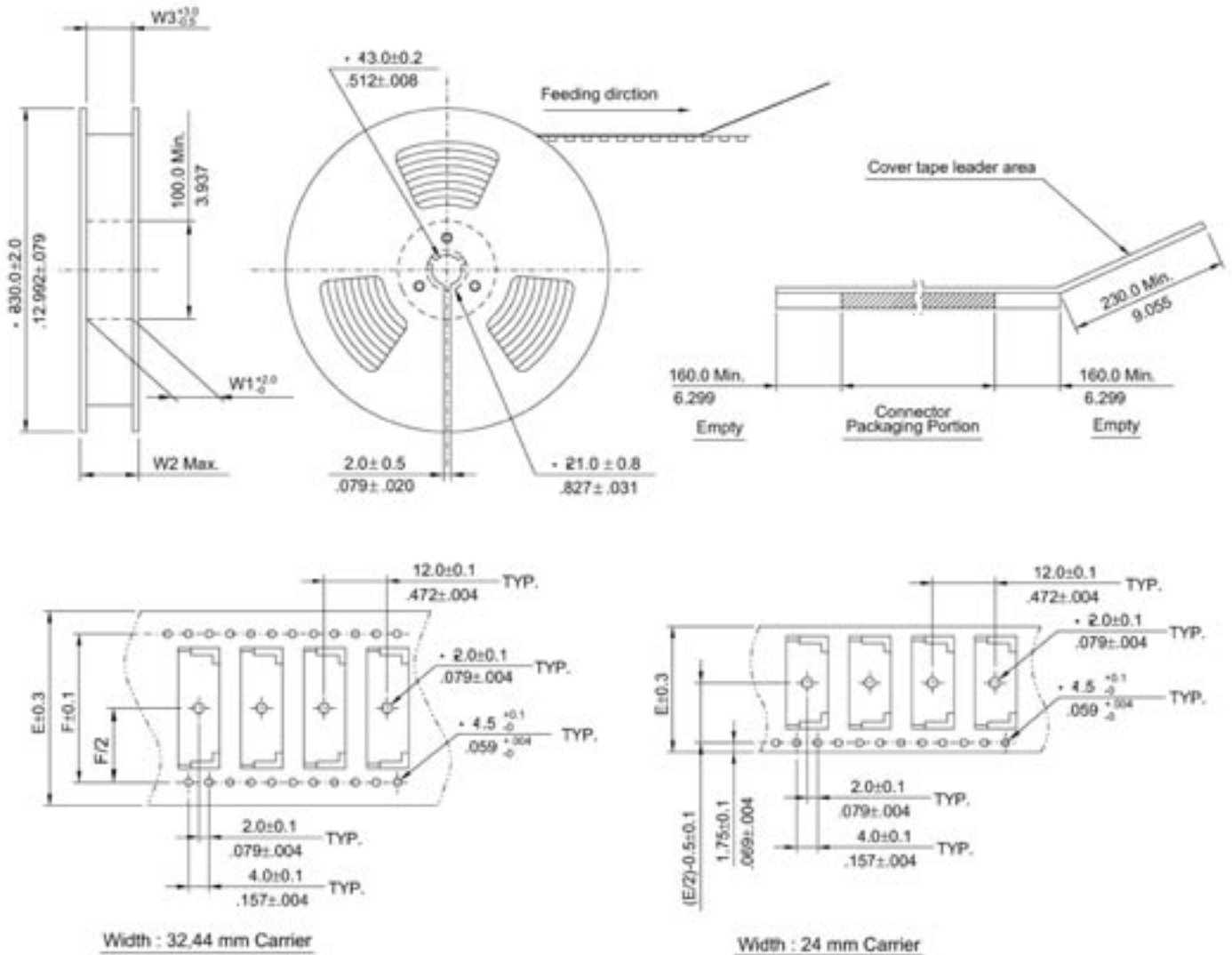
BESTELLSCHLÜSSEL - ORDERING CODE

1	2	3	4	5	6	7
CF18	32	1	H	1	D	0
Series No.	Circuits 06-32	Plating code 1 = tinlead over nickel	Contact style H = side contact	Color 0 = black	Packing options R = tape & reel T = tube packing	Other options 0 = standard (for special options pls. contact us)

CF 17 / 18 SERIES

TAPE & REEL PACKING

- Reel material: HIPS
- Carrier material: black conductive polystyrene alloy
- Cover tape material: polyester
- Cover tape reel strength: 0,1 N-1,3 N
- Carrier camber is within 1 mm in 100 mm
- All dimensions meet EIA-481-2 and EIA-481-3 requirements
- Quantity: 2.000 pcs./reel

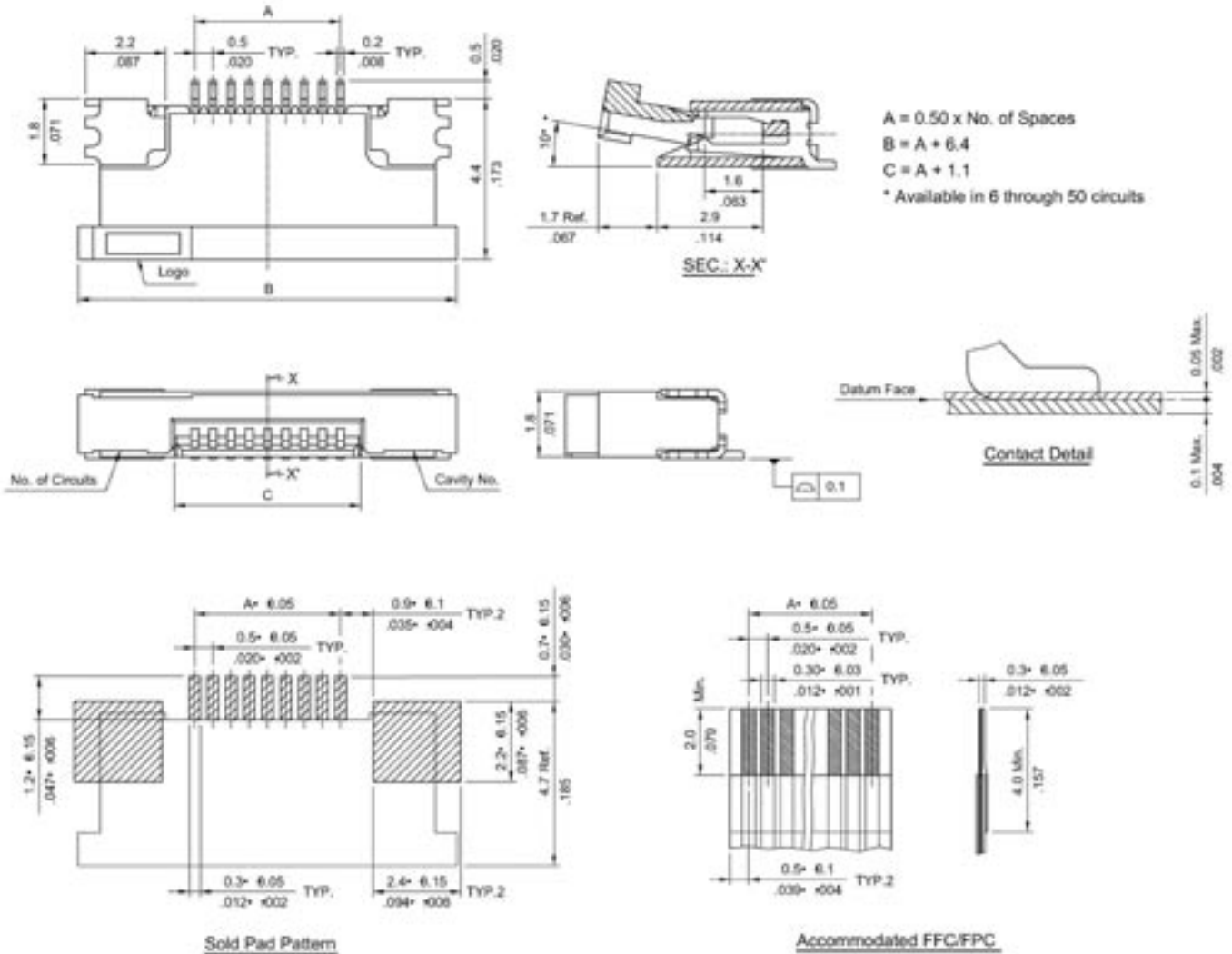


Circuits	Dimension				
	E	F	W1	W2	W3
6-11	24,0	—	24,4	30,4	24,4
12-19	32,0	28,4	32,4	38,4	32,4
20-32	44,0	40,4	44,4	50,4	44,4

CF 21 SERIES 0.50mm SMT ZIF FFC / FPC DOWNSIDE CONNECTORS



- Tin-lead plated phosphor bronze upside contact
- Insulation: High temperature plastic UL 94V-0, Color: nature
- Slider: High temperature plastic UL 94V-0, Color: brown
- Actuator designed easy for FFC/FPC installation
- Fully check by CCD and hi-pot test
- With fixed metal tabs to secure connector in place
- Available in tube or reel packing



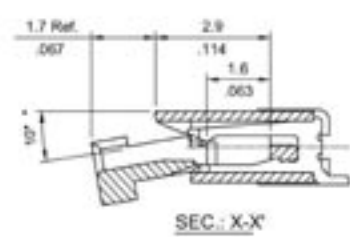
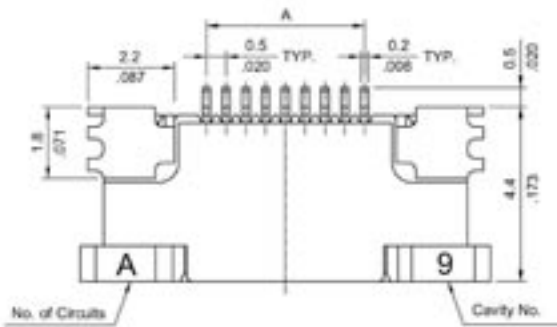
BESTELLSCHLÜSSEL - ORDERING CODE

1	2	3	4	5	6
CF21	50	1	D	0	R0
Series No.	Circuits 06-50	Plating code 1= tin-lead over nickel	Contact style D= downside contact	Color 0= nature	Other options R0= tape & reel T0= tube packing

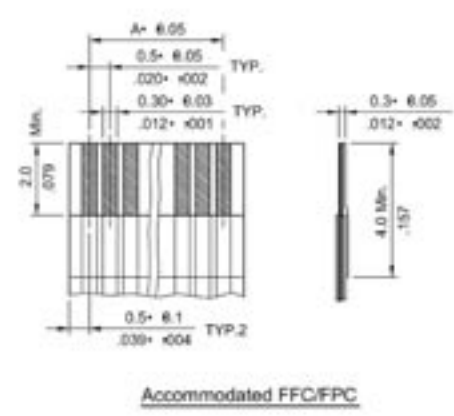
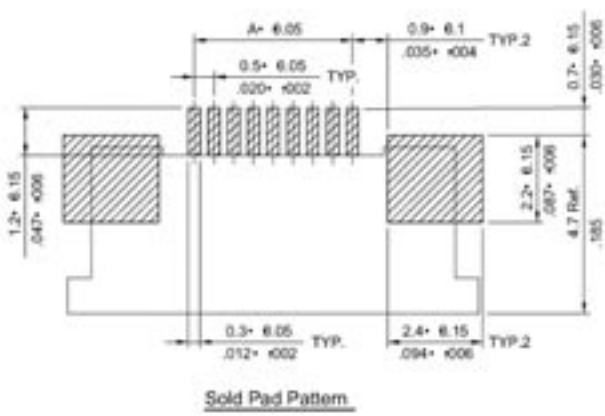
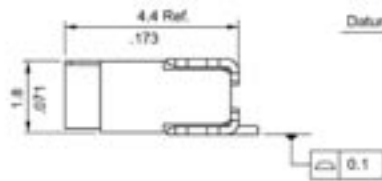
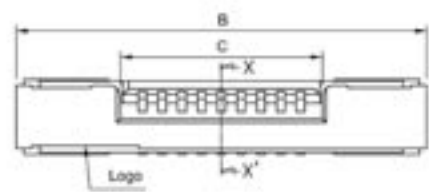
CF 21 SERIES 0.50mm SMT ZIF FFC / FPC UPSIDE CONNECTORS



- Tin-lead plated phosphor bronze upside contact
- Insulation: High temperature plastic UL 94V-0, Color: nature
- Slider: High temperature plastic UL 94V-0, Color: brown
- Actuator designed easy for FFC/FPC installation
- Fully check by CCD and hi-pot test
- With fixed metal tabs to secure connector in place
- Available in tube or reel packing



A = 0.50 x No. of Spaces
 B = A + 6.4
 C = A + 1.1
 * Available in 6 through 50 circuits



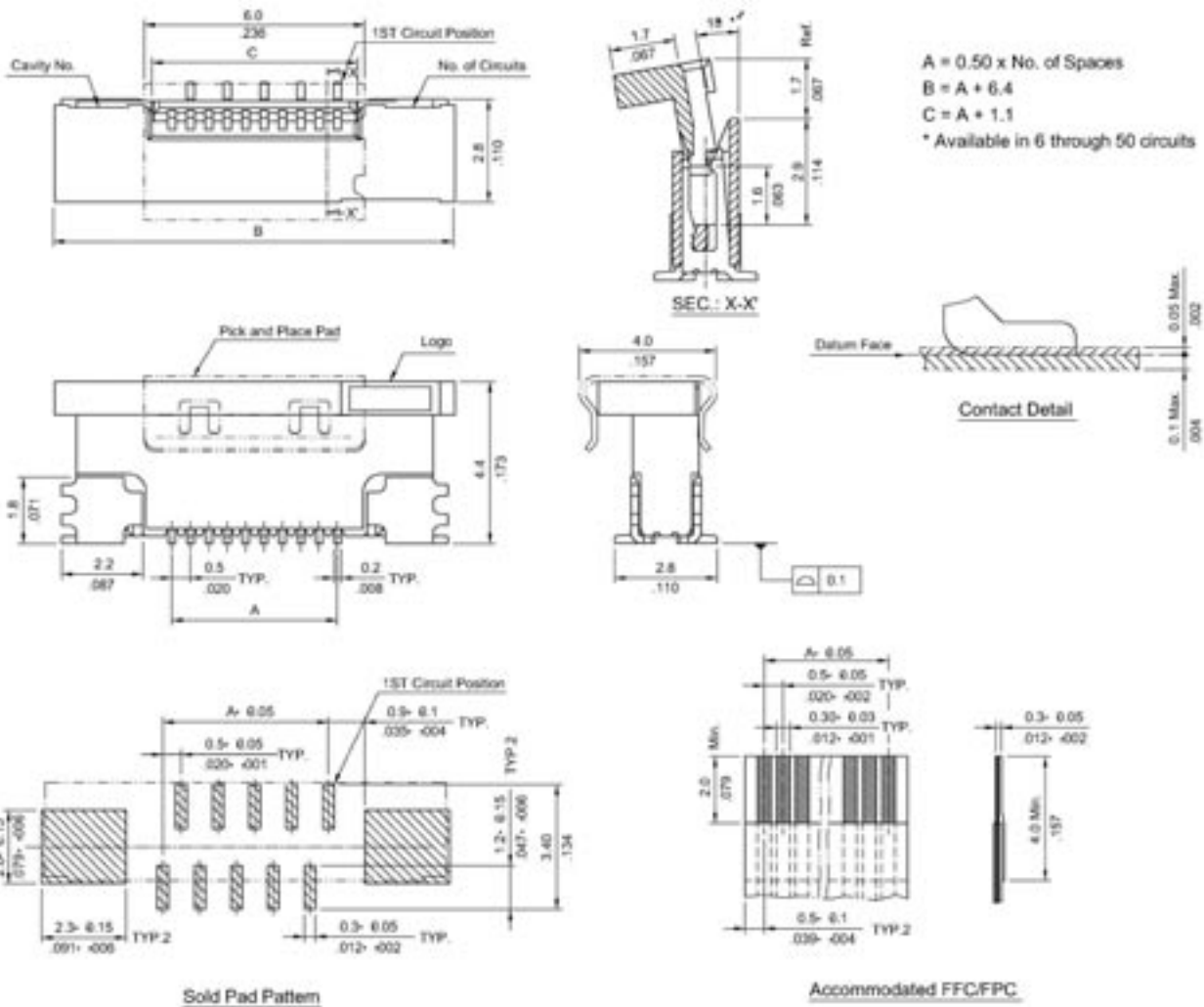
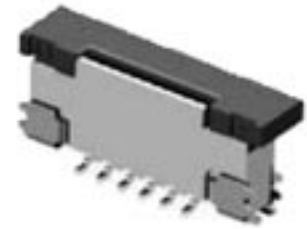
BESTELLSCHLÜSSEL - ORDERING CODE

1	2	3	4	5	6
CF21	50	1	U	0	R0
Series No.	Circuits 06-50	Plating code 1 = tin-lead over nickel	Contact style U = upside contact	Color 0 = nature	Other options R0 = tape & reel T0 = tube packing

CF 21 SERIES 0.50mm SMT ZIF FFC / FPC VERTICAL TYPE CONNECTORS



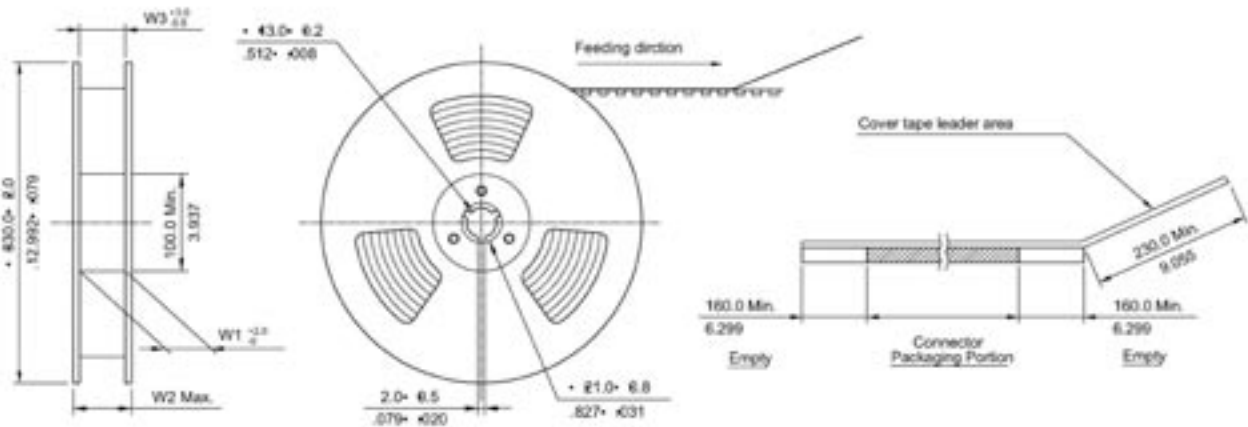
- Tin-lead plated phosphor bronze vertical type contact
- Insulation: High temperature plastic UL 94V-0, Color: nature
- Slider: High temperature plastic UL 94V-0, Color: brown
- Actuator designed easy for FFC/FPC installation
- Fully check by CCD and hi-pot test
- With fixed metal tabs to secure connector in place
- Available in tube or reel packing



BESTELLSCHLÜSSEL - ORDERING CODE

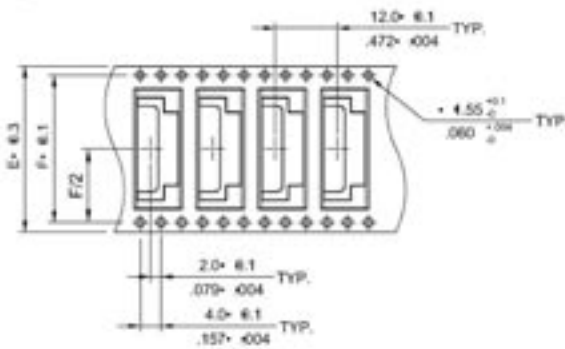
1	2	3	4	5	6	7
CF21	50	1	V	0	R	0
Series No.	Circuits 06-50	Plating code 1 = tin-lead over nickel	Contact style V = side contact	Color 0 = nature	Packing options R = tape & reel T = tube packing U = upside contact	Other options 0 = without pick and place pad (standard) P = with pick and place pack (for special options pls. contact us)

- Reel material: HIPS
- Carrier material: black conductive polystyrene alloy
- Cover tape reel strength: 0,1 N-1,3 N
- Cover tape material: polyester
- Carrier camber is within 1 mm in 100 mm
- All dimensions meet EIA-481-2 and EIA-481-3 requirements
- Quantity: 2.000 pcs./reel

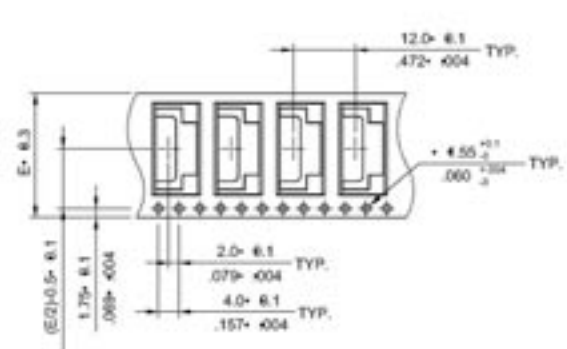


Circuits	Dimension					Packing (Reel/Carton)
	E	F	W1	W2	W3	
6-22	24.0(,945)	-	24.5(,965)	30.5(1,200)	24.5(,965)	9
23-32	32.0(1,260)	28.4(1,118)	32.5(1,280)	38.5(1,516)	32.5(1,280)	7
33-50	44.0(1,732)	40.4(1,596)	44.5(1,752)	50.5(1,988)	44.5(1,752)	5

- Side Entry Type
Quantity : 2,000 PCS/Reel

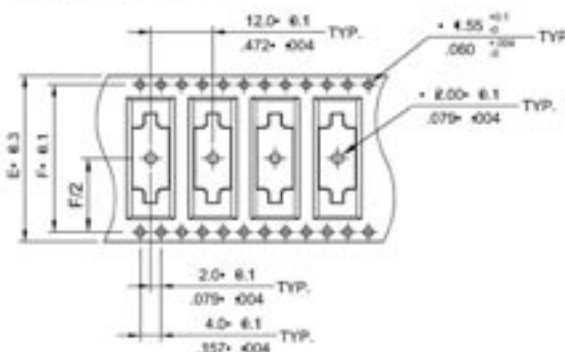


WIDTH : 32,44 mm Carrier

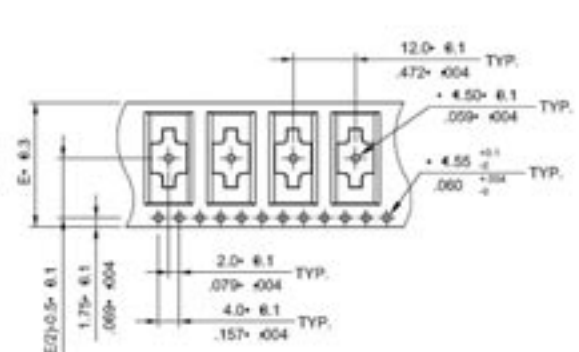


WIDTH : 24 mm Carrier

- Top Entry Type
Quantity : 1,000 PCS/Reel



WIDTH : 32,44 mm Carrier



WIDTH : 24 mm Carrier

KONTAKTE CONTACTS



WENNMACHER *Electronic GmbH*

Im Weidig 18
D-63785 Obernburg

Tel.: +49-(0)6022-6224-0
Fax: +49-(0)6022-6224-30
E-mail: Info@Wennmacher-Electronic.de
Internet: www.Wennmacher-Electronic.de

WENNMACHER *Electronic Ltd.*

Hong Kong

WENNMACHER *Electronic Ltd.*

Taipei • Taiwan R.O.C

WELCON B.V.

Eindhoven • The Netherlands

WENNMACHER *Electronic Ltd.*

Sommerset West • South Afrika

WECOSA *of America Inc.*

Atlanta • USA

Germany - Hong Kong - Taiwan - The Netherlands - South Africa - USA